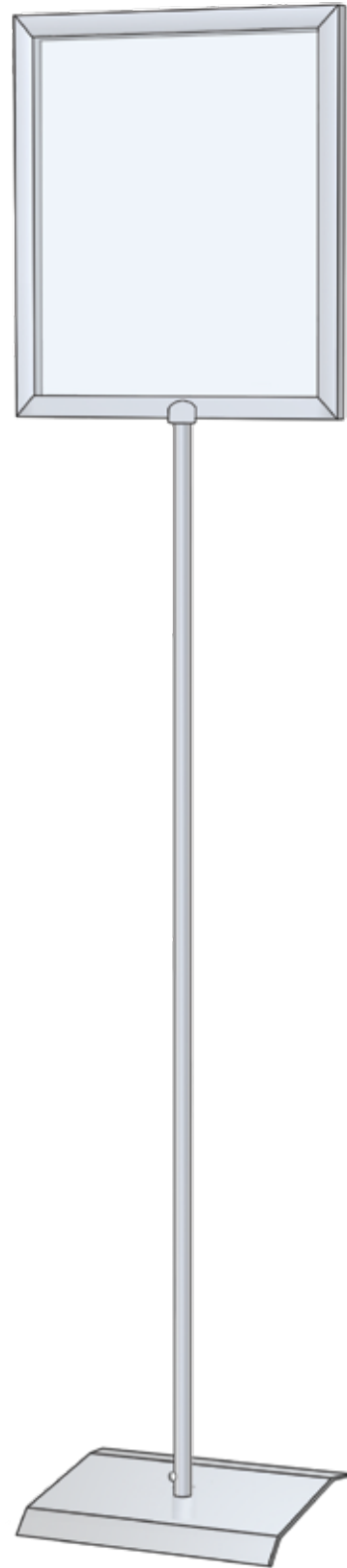
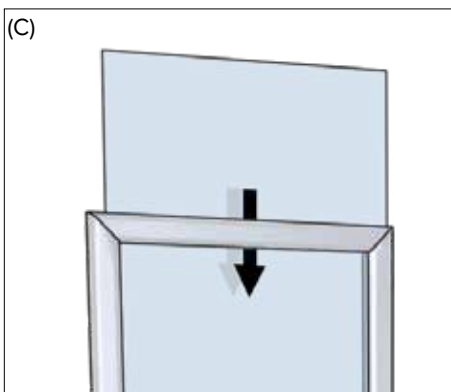
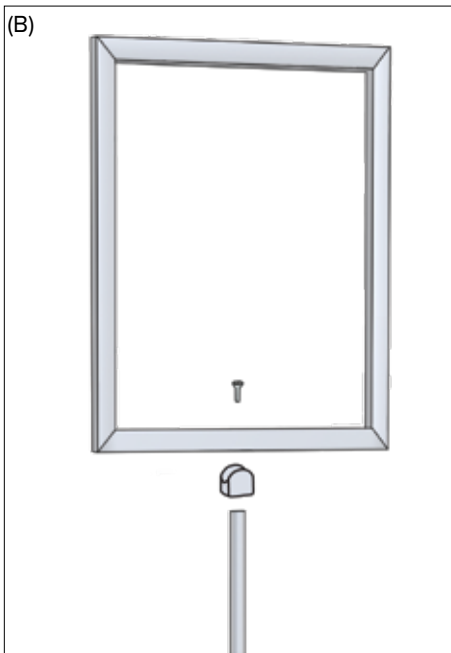
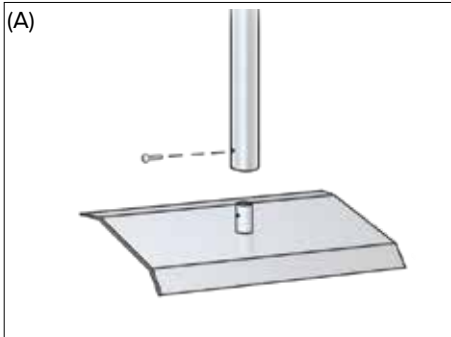


1. Attach pole to base using Phillips head screw (fig. A).
2. Screw frame onto pole with flathead screw (fig. B).
3. Insert graphic into frame (fig. C).



20190517